

# LINE VOLTAGE THERMOSTAT INSTALLATION INSTRUCTIONS

## WARNING

If this product is used to replace a device containing mercury, the purchaser or consumer must ensure that the mercury is properly managed to comply with state or federal regulations. The mercury must not become part of solid waste or waste water. Additional guidance may be obtained from the manufacturer of the product being removed, by calling the Materials Manager, 1-800-251-7828.

**All electrical connections must be in accordance with local codes, ordinances, or national electrical code. If you are unfamiliar with methods of installing electrical wiring. Secure the services of a qualified electrician.**

**This thermostat only maintains a temperature level in the house and does not have a built-in on-off switch. You may wish to provide an appropriate on-off switch in series with your thermostat.**

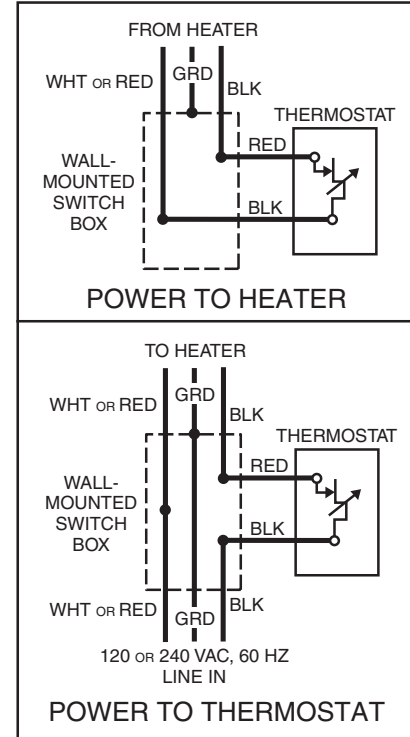
## INSTALLATION

1. TURN OFF POWER AT SERVICE ENTRANCE BEFORE WIRING THERMOSTAT.
2. Thermostat location should be four to five feet above floor, on an inside wall where thermostat will be subjected to average room temperature. Check location carefully to make sure that it is not near concealed warm or cold air ducts, water pipes, and drafts from hallways or stairwells. Install a switch box in wall.
3. Remove thermostat cover. Grasp cover at top and gently pull cover off of thermostat body.
4. Make electrical connections as shown.

## INSTALLATION

5. Fasten thermostat body to switch box with screws provided.
6. Push thermostat cover onto body.
7. To check thermostat: Turn power on at service entrance, turn temperature control clockwise. The electric heater element should begin to heat. Then, turn the control knob fully counterclockwise (low position). The switch breaks only one side of the electrical circuit, and the heater element should stop heating.

**NOTE:** To insure proper operation of your heater, refer to the complete wiring diagrams in your heater installation instructions.



# WARRANTY

We warrant to the original consumer purchaser of our products that such products will be free from defects in materials or workmanship for a period of one year from date of original purchase. THERE ARE NO OTHER WARRANTIES, EXPRESSED OR IMPLIED, INCLUDING, BUT NOT LIMITED TO, IMPLIED WARRANTIES OR MERCHANTABILITY OR FITNESS FOR A PARTICULAR PURPOSE.

During this one-year period, we will, at our option, repair or replace, without charge, any product or part which is found to be defective under normal use and service.

THIS WARRANTY DOES NOT EXTEND TO FLUORESCENT LAMP STARTERS AND TUBES. This warranty does not cover (a) normal maintenance and service or (b) any products or parts which have been subject to misuse, negligence, accident, improper maintenance or repair (other than by us), faulty installation or installation contrary to recommended installation instructions.

The duration of any implied warranty is limited to the one-year period as specified for the express warranty. Some states do not allow limitation on how long an implied warranty lasts, so the above limitation may not apply to you.

OUR OBLIGATION TO REPAIR OR REPLACE, AT OUR OPTION, SHALL BE THE PURCHASER'S SOLE AND EXCLUSIVE REMEDY UNDER THIS WARRANTY. WE SHALL NOT BE LIABLE FOR INCIDENTAL, CONSEQUENTIAL OR SPECIAL DAMAGES ARISING OUT OF OR IN CONNECTION WITH PRODUCT USE OR PERFORMANCE. Some states do not allow the exclusion or limitation of incidental or consequential damages, so the above limitations or exclusion may not apply to you.

This warranty gives you specific legal rights, and you may also have other rights, which vary from state to state. This warranty supercedes all prior warranties.

To qualify for warranty service, you must (a) notify us at an address stated below or telephone 1-800-637-1453, (b) give the model number and part identification and (c) Describe the nature of any defect in the product or part. At the time of requesting warranty service, you must present evidence of the original purchase date.

**Broan-NuTone LLC**, A Nortek Company, 926 West State Street, Hartford, WI 53027  
**NuTone, Inc.**, A Nortek Company, Madison and Red Banks Roads, Cincinnati, OH 45227

